

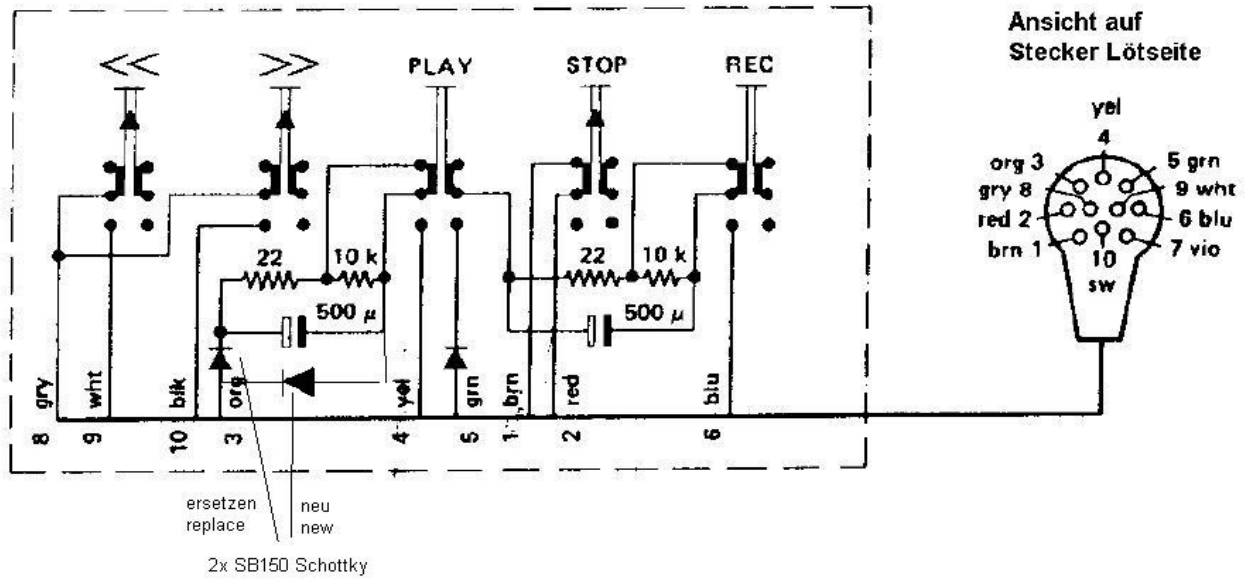
### Pievox Information

## Modification for Revox A77- Cable remote in conjunction with Pievox Play-Logik

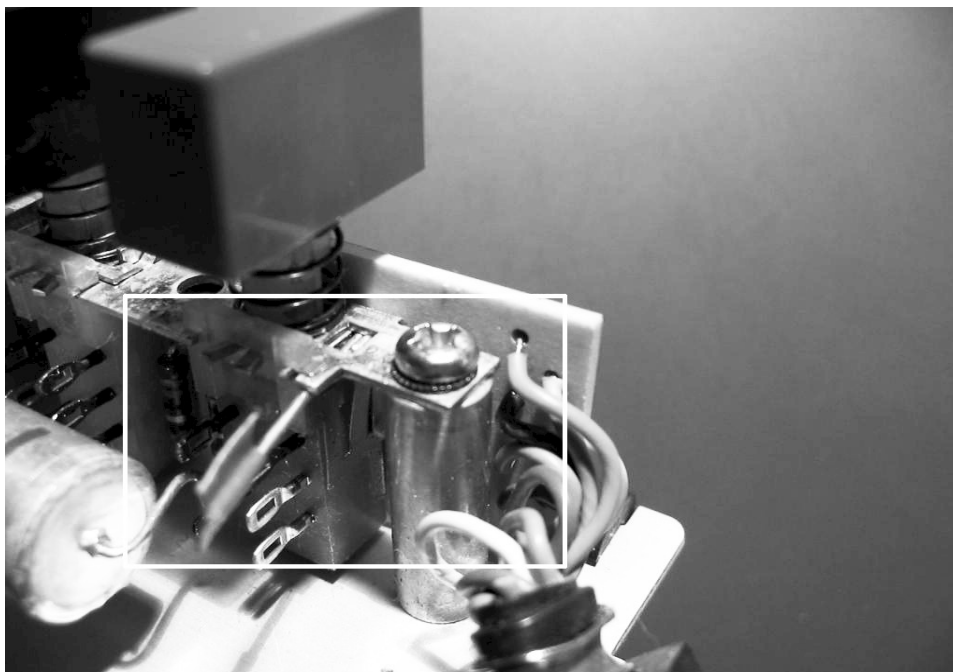
To detect the play keystroke while wind function of the A77 , there is a small modification necessary in the Revox A77 cable remote control:

1. Remove the remote control from the housing.

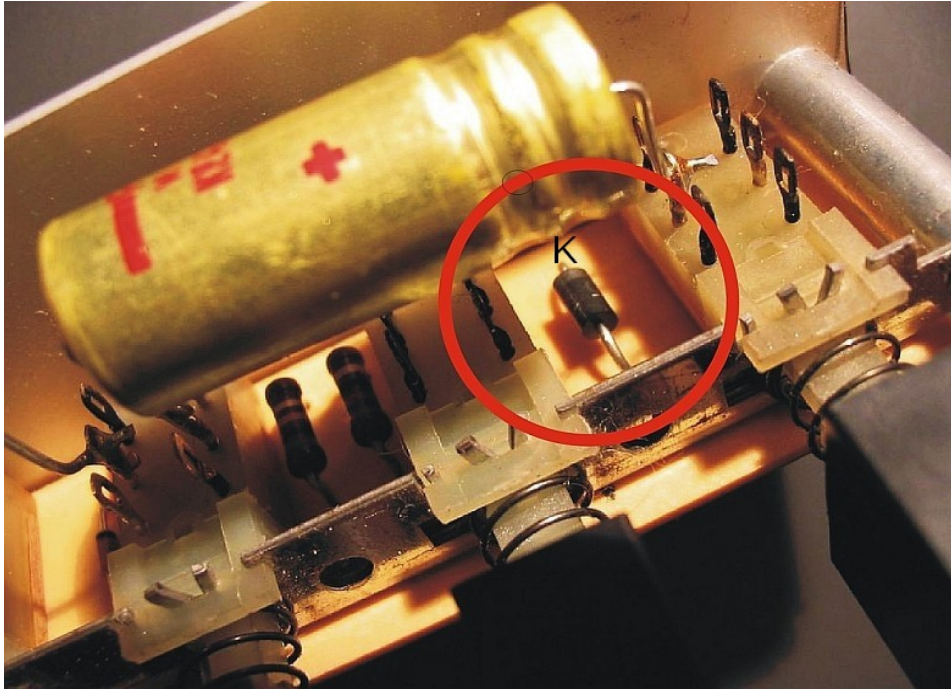
excerpt from schematic:



At the same time, you can also disengage the lock mechanism of the Play and Record buttons. for example by inserting a short wire here.



Diese Diode im Kreis wird ersetzt durch die Schottky-Diode  
The diode in the circle is replaced by the Schottky diode with the same polarity



Diese zweite Schottky Diode wird auf der Lötseite der Platine aufgelötet.  
Polarität beachten ! Der Ring = Kathode zum Text 1.128.ausrichten

This second Schottky diode is additionally soldered on the board.  
Observe polarity!  
Cathode - Ring in the picture right to the text 1.128.. there

